

EVX-LINK IP CONNECT SOLUTION INSTALLATION MANUAL

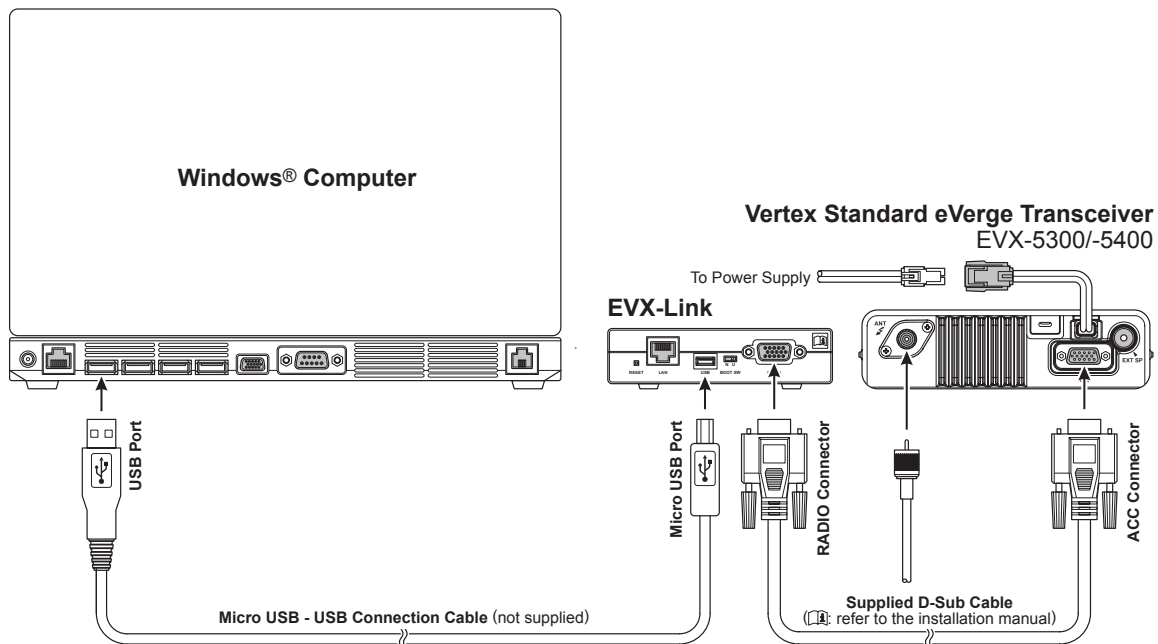
EVX-Link is a fast and easy way to connect multiple DMR digital coverage areas regardless of geography.

This system provides a seamless and reliable connection via the use of an existing Local Area Network (LAN) or internet. It works with or without a repeater infrastructure which offers great flexibility.

EVX-Link can be used with existing systems or can replace the functionality of legacy high power repeater equipment.

PROGRAMMING THE EVX-LINK

- Install the Programming Software for the EVX-Link to your Windows® computer (Windows® Vista or later operating system) in advance.
- Set up the EVX-Link, computer, eVerge transceiver and its DC power supply, as shown in illustration.
- Turn on the eVerge transceiver in order to supply power to the EVX-Link.
- Using the programming software, input the IP address information for the EVX-Link on your site, and the IP address information for those EVX-Link system sites you wish to connect to.
- When the EVX-Link programming is finished, disconnect the **EVX-Link** from the computer.



Note for US Users: This equipment has been tested and found to comply with the limits for a Class A digital device, pursuant to part 15 of the FCC Rules. These limits are designed to provide reasonable protection against harmful interference when the equipment is operated in a commercial environment. This equipment generates, uses, and can radiate radio frequency energy and, if not installed and used in accordance with the instruction manual, may cause harmful interference to radio communications.

Operation of this equipment in a residential area is likely to cause harmful interference in which case the user will be required to correct the interference at his own expense.

Note for European Users: This is a Class A product. In a domestic environment this product may cause radio interference in which case the user may be required to take adequate measures.

Vertex Standard LMR, Inc.

4-6-8 Shibaura, Minato-ku, Tokyo 108-0023, Japan
<http://www.vertexstandard.com>

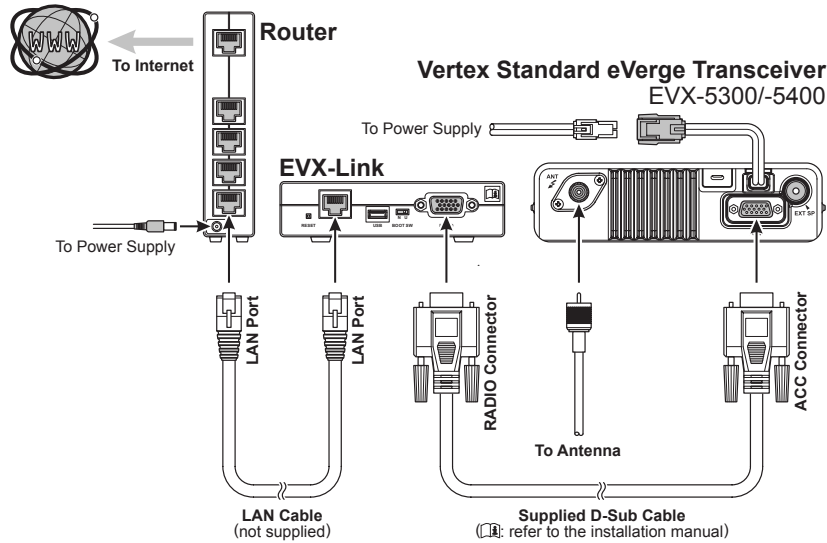


CONNECTION

Assemble the EVX-Link, eVerge Transceiver and associated equipment, as shown in illustrations.

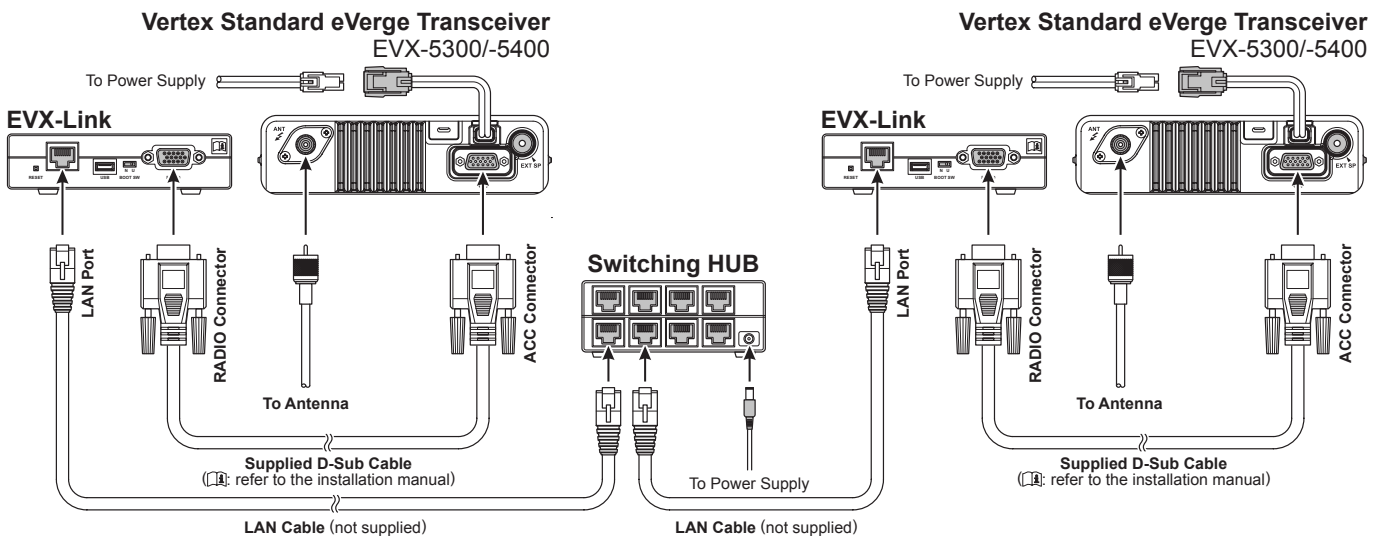
Wide Area Network

The most common connection for multi-site configurations. By connecting to the local internet, this configuration allows connection to multiple geographically separated coverage sites.



Local Area Network

EVX-Link equipment can also be connected locally, without the use of an external internet source. Connect multiple EVX-Link boxes with a switching hub or router for localized communication. For example, two transceivers can be connected with the EVX-Link (as shown in the illustration below) to operate in a similar fashion to a repeater. As a result, you can significantly extend the communication range of the hand-held transceiver that has access to the EVX-Link (eVerge Transceiver).



IMPORTANT NOTE



Refer to the Installation manual. Use only supplied the transceiver, model EVX-5300-D0-25, EVX-5400-D0-25, EVX-5300-D0-50, EVX-5400-D0-50, EVX-5300-G6-25, EVX-5400-G6-25, EVX-5300-G6-45, EVX-5400-G6-45, EVX-5300-G7-25, EVX-5400-G7-25, EVX-5300-G7-45 or EVX-5400-G7-45.



When using the eVerge transceiver as a control station for the EVX-Link system, the antenna installation must comply with the following requirements to ensure optimal performance and compliance with the RF energy exposure limits in the standards and guidelines.

- The antenna should be mounted outside the building on the roof or a tower if at all possible.
- As with all fixed site antenna installations, it is the responsibility of the licensee to manage the site in accordance with applicable regulatory requirements and may require additional compliance actions such as site survey measurements, signage, and site access restrictions in order to insure that exposure limits are not exceeded.